

## DÖVME ÇELİK, DİŞLİ EŞİT TE



3000 LB & 6000 LB  
ANSI B 16.11

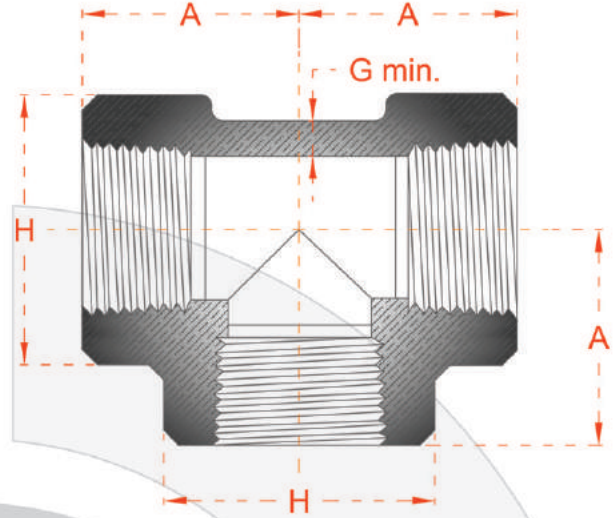


**E.M.P.**  
www.emp.com.tr  
www.empflans.com

## THREADED FORGED STEEL EQUAL TE



3000 LB & 6000 LB  
ANSI B 16.11



	3000 LB						6000 LB					
	A		H		G		A		H		G	
	mm	inc	mm	inc	mm	inc	mm	inc	mm	inc	mm	inc
1/4"	25	0.97	25.4	1.00	3.5	0.13	29	1.12	33	1.31	6.5	0.26
3/8"	29	1.12	33	1.31	3.5	0.14	33	1.31	38	1.50	7.0	0.28
1/2"	33	1.31	38	1.50	4.0	0.16	38	1.50	46	1.81	8.0	0.32
3/4"	38	1.50	46	1.81	4.5	0.17	44	1.75	56	2.19	8.5	0.34
1"	44	1.75	56	2.12	5.0	0.20	51	2.00	62	2.44	10.0	0.39
1 1/4"	51	2.00	62	2.44	5.5	0.21	60	2.38	75	2.97	10.5	0.42
1 1/2"	60	2.38	75	2.97	5.5	0.21	64	2.50	84	3.31	11.0	0.44
2"	64	2.50	84	3.31	7.0	0.28	83	3.25	102	4.00	12.0	0.48
2 1/2"	83	3.25	102	4.00	7.5	0.30	95	3.75	121	4.75	15.5	0.60
3"	95	3.75	121	4.75	9.0	0.35	106	4.19	146	5.75	16.5	0.66
4"	114	4.50	152	6.00	11.0	0.44	114	4.50	152	6.00	18.5	0.74

Ölçüler mm olarak verilmiştir.  
Çelik ve paslanmaz üretilebilir.

Dimensions are in mm.  
Steel and stainless steel can be produce