

DÖVME ÇELİK, DIŞLI DİRSEK 90°



3000 LB & 6000 LB
ANSI B 16.11

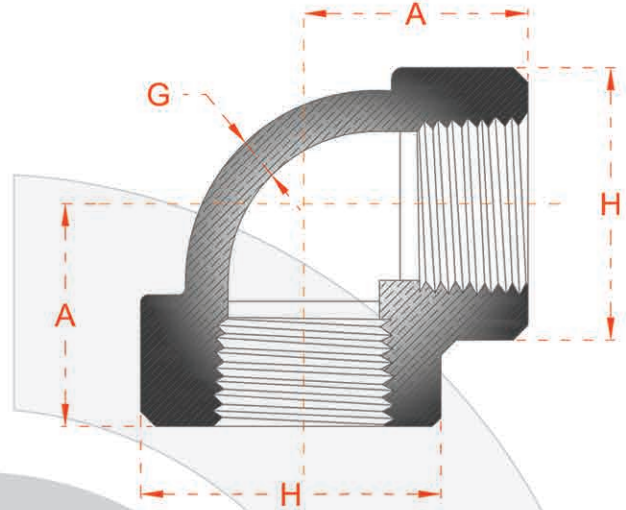


E.M.P.
www.emp.com.tr
www.empflans.com

THREADED FORGED ELBOW 90°



3000 LB & 6000 LB
ANSI B 16.11



	3000 LB						6000 LB					
	A		H		G		A		H		G	
	mm	inc	mm	inc	mm	inc	mm	inc	mm	inc	mm	inc
1/4"	25	0.97	25	1.00	3.5	0.13	29	1.12	33	1.31	6.5	0.26
3/8"	29	1.12	33	1.31	3.5	0.14	33	1.31	38	1.50	7.0	0.28
1/2"	33	1.31	38	1.50	4.0	0.16	38	1.50	46	1.81	8.0	0.32
3/4"	38	1.50	46	1.81	4.5	0.17	44	1.75	56	2.19	8.5	0.34
1"	44	1.75	56	2.12	5.0	0.20	51	2.00	62	2.44	10.0	0.39
1 1/4"	51	2.00	62	2.44	5.5	0.21	60	2.38	75	2.97	10.5	0.42
1 1/2"	60	2.38	75	2.97	5.5	0.22	64	2.50	84	3.31	11.0	0.44
2"	64	2.50	84	3.31	7.0	0.28	83	3.25	102	4.00	12.0	0.48
2 1/2"	83	3.25	102	4.00	7.5	0.30	95	3.75	121	4.75	15.5	0.60
3"	95	3.75	121	4.75	9.0	0.35	106	4.19	146	5.75	16.5	0.66
4"	114	4.50	152	6.00	11.0	0.44	114	4.50	152	6.00	18.5	0.74

Ölçüler mm olarak verilmiştir.
Çelik ve paslanmaz üretilebilir.

Dimensions are in mm.
Steel and stainless steel can be produce