

KAYNAK BOYUNLU FLANŞ 1500 LB



ASME B 16.5 - 2013

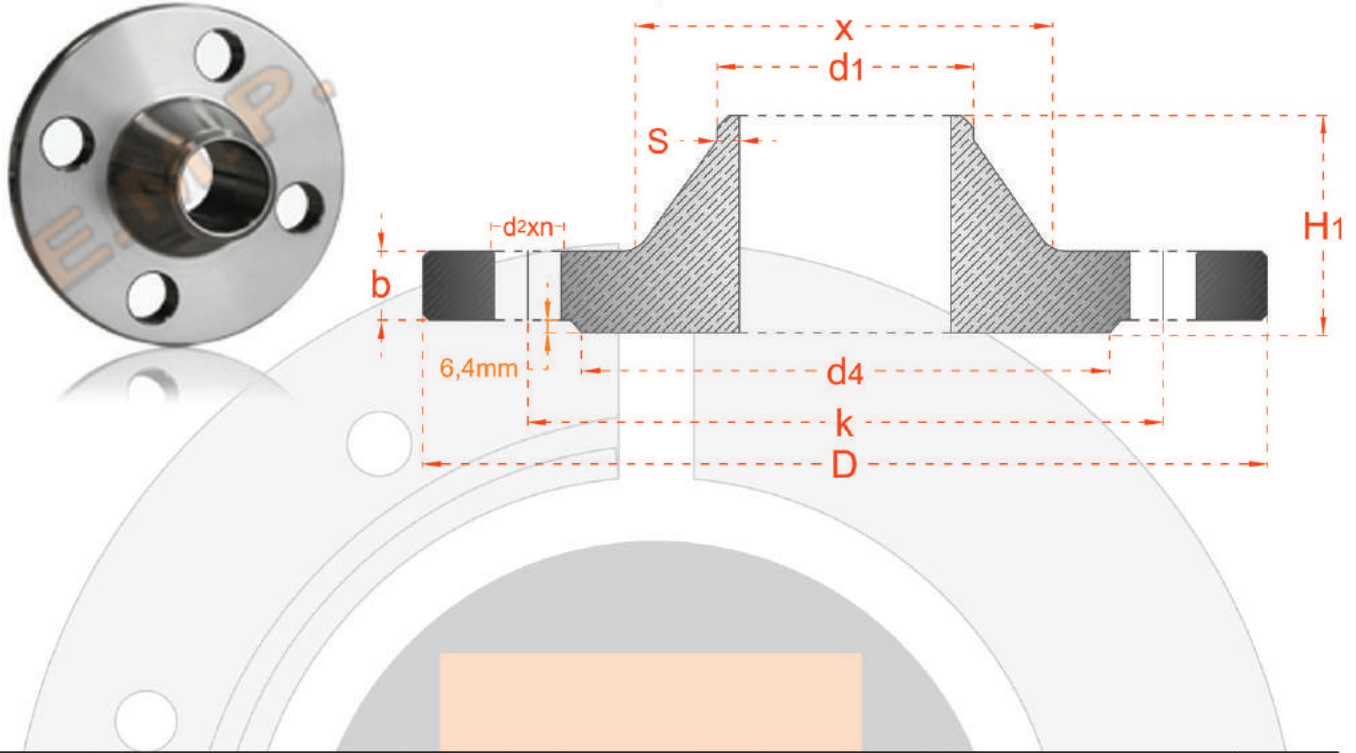


E.M.P.
www.emp.com.tr
www.empflans.com

WELDING NECK FLANGE CLASS 1500



ASME B 16.5 - 2013



ASME 16.5 - 2013											AĞIRLIK WEIGHT	
DN	NPS	D	b	d4	DELİKLER - DRILLINGS			s	X	d1	H1	kg
					n	k	d2					
15	1/2"	120	22.3	34.9	4	82.6	22.2	S DEĞERİ MÜŞTERİ İLE GÖRÜŞÜLEK BELİRLENECEKTİR	38	21.3	60	2.00
20	3/4"	130	25.4	42.9	4	88.9	22.2		44	26.7	70	3.00
25	1"	150	28.6	50.8	4	101.6	25.4		52	33.4	73	4.00
32	1 1/4"	160	28.6	63.5	4	111.1	25.4		64	42.2	73	4.60
40	1 1/2"	180	31.8	73.0	4	123.8	28.5		70	48.3	83	6.50
50	2"	215	38.1	92.1	8	165.1	25.4		105	60.3	102	11.5
65	2 1/2"	245	41.3	104.8	8	190.5	28.5		124	73.0	105	15.8
80	3"	265	47.7	127.0	8	203.2	31.8		133	88.9	117	22.0
100	4"	310	54.0	157.2	8	241.3	35.0		162	114.3	124	30.0
125	5"	375	73.1	185.7	8	292.1	41.1		197	141.3	156	58.0
150	6"	395	82.6	215.9	12	317.5	38.1		229	168.3	171	70.0
200	8"	485	92.1	269.7	12	393.7	44.5		292	219.1	213	119
250	10"	585	108.0	323.8	12	482.6	50.8		368	273.0	254	204
300	12"	675	123.9	381.0	16	571.5	53.8		451	323.8	283	303
350	14"	750	133.4	412.8	16	635.0	60.5		495	355.6	298	426
400	16"	825	146.1	469.9	16	704.8	66.5		552	406.4	311	567
450	18"	915	162.0	533.4	16	774.7	73.2	597	457.0	327	737	
500	20"	985	177.8	584.2	16	831.8	79.2	641	508.0	356	930	
600	24"	1170	203.2	692.2	16	990.6	91.9	762	610.0	406	1510	

Ölçüler mm olarak verilmiştir.
Çelik ve paslanmaz üretilebilir.

Dimensions are in mm.
Steel and stainless steel can be produce.