

# KAYNAK BOYUNLU FLANŞ 900 LB



ASME B 16.5 - 2013

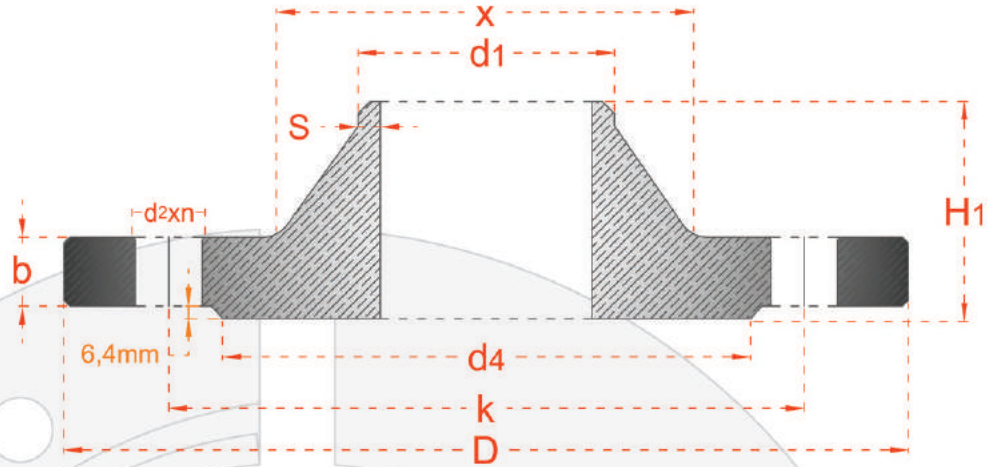


**E.M.P.**  
www.emp.com.tr  
www.empflans.com

# WELDING NECK FLANGE CLASS 900



ASME B 16.5 - 2013



ASME 16.5 2013												AĞIRLIK WEIGHT
DN	NPS	D	b	d4	DELİKLER - DRILLINGS			s	X	d1	H1	kg
					n	k	d2					
15	1/2"	120	22.3	34.9	4	82.6	22.2	S DEĞERİ MÜŞTERİ İLE GÖRÜŞÜLEREK BELİRLENECEKTİR	38	21.3	60	2
20	3/4"	130	25.4	42.9	4	88.9	22.2		44	26.7	70	3
25	1"	150	28.6	50.8	4	101.6	25.4		52	33.4	73	4
32	1 1/4"	160	28.6	63.5	4	111.1	25.4		64	42.2	73	4.6
40	1 1/2"	180	31.8	73.0	4	123.8	28.5		70	48.3	83	6.5
50	2"	215	38.1	92.1	8	165.1	25.4		105	60.3	102	11.5
65	2 1/2"	245	41.1	104.8	8	190.5	28.5		124	73.0	105	15.8
80	3"	240	38.1	127.0	8	190.5	25.4		127	88.9	102	14.5
100	4"	290	44.5	157.2	8	235.0	31.8		159	114.3	114	23
125	5"	350	50.8	185.7	8	279.4	35.0		190	141.3	127	37
150	6"	381	55.6	215.9	12	317.5	31.8		235	168.3	140	50
200	8"	470	63.5	269.9	12	393.7	38.1		298	219.1	162	85
250	10"	545	69.9	323.8	16	469.9	38.1		368	273.0	184	118
300	12"	610	79.4	381.0	20	533.4	38.1		419	323.8	200	163
350	14"	640	85.8	412.8	20	558.8	41.1		451	355.6	213	186
400	16"	705	88.9	469.9	20	616.0	44.5		508	406.4	216	224
450	18"	785	101.6	533.4	20	685.8	50.8		565	457	229	300
500	20"	855	108.0	584.2	20	749.3	53.8		622	508	248	373
600	24"	1040	139.7	692.2	20	901.7	66.5		749	610	292	680

Ölçüler mm olarak verilmiştir.  
Çelik ve paslanmaz üretilebilir.

Dimensions are in mm.  
Steel and stainless steel can be produce.