

KAYNAK BOYUNLU FLANŞ 600 LB



ASME B 16.5 - 2013
BS 3293

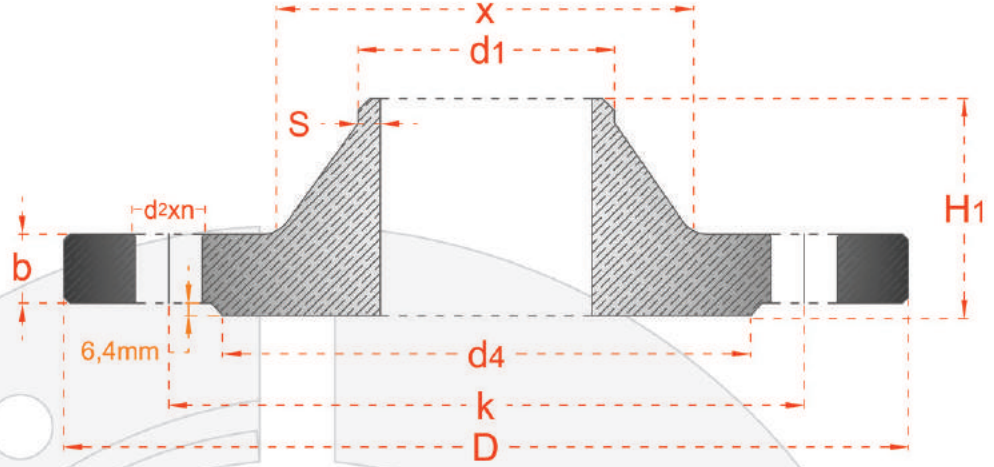


E.M.P.
www.emp.com.tr
www.empflans.com

WELDING NECK FLANGE CLASS 600



ASME B 16.5 - 2013
BS 3293



ASME 16.5-2013												AĞIRLIK WEIGHT
DN	NPS	D	b	d4	DELİKLER - DRILLINGS			s	X	d1	H1	kg
					n	k	d2					
15	1/2"	95	14.3	34.9	4	66.7	15.8	S DEĞERİ MÜŞTERİ İLE GÖRÜŞÜLEREK BELİRLENECEKTİR	38	21.3	52	1.5
20	3/4"	115	15.9	42.9	4	82.6	19.0		48	26.7	56	2.0
25	1"	125	17.5	50.8	4	88.9	19.0		54	33.4	62	2.5
32	1 1/4"	135	20.7	63.5	4	98.4	19.0		64	42.2	67	3.2
40	1 1/2"	155	22.3	73.0	4	114.3	22.2		70	48.3	70	4.5
50	2"	165	25.4	92.1	8	127.0	19.0		84	60.3	73	5.5
65	2 1/2"	190	28.6	104.8	8	149.2	22.2		100	73.0	79	8.0
80	3"	210	31.8	127.0	8	168.3	22.2		117	88.9	83	10.5
	3 1/2"	230	35.0	139.7	8	184.2	25.4		133	101.6	86	15.6
100	4"	275	38.1	157.2	8	215.9	25.4		152	114.3	102	19.0
125	5"	330	44.5	185.7	8	266.7	28.5		189	141.3	114	31.0
150	6"	355	47.7	215.9	12	292.1	28.5		222	168.3	117	37.0
200	8"	420	55.6	269.9	12	349.2	31.8		273	219.1	133	53.0
250	10"	510	63.5	323.8	16	431.8	35.0		343	273.0	152	86.0
300	12"	560	66.7	381.0	20	489.0	35.0		400	323.9	156	102
350	14"	605	69.9	412.8	20	527.0	38.1		432	355.6	165	150
400	16"	685	76.2	469.9	20	603.2	41.1		495	406.4	178	190
450	18"	745	82.6	533.4	20	654.0	44.5		546	457.0	184	240
500	20"	815	88.9	584.2	24	723.9	44.5		610	508.0	190	295
600	24"	940	101.6	692.2	24	838.2	50.8		718	610.0	203	365
BS 3293												
650	26"	1,016.0	107.9	749.3	28	914.4	50.8	S DEĞERİ MÜŞTERİ İLE GÖRÜŞÜLEREK BELİRLENECEKTİR	747.7	671.5	222.2	444
700	28"	1073.1	111.2	800.1	28	965.2	53.8		803.3	723.9	234.9	480
750	30"	1130.3	114.3	857.2	28	1022.3	53.8		862.0	774.7	247.6	560
800	32"	1193.8	117.3	914.4	28	1079.5	60.4		917.4	825.5	260.3	680
850	34"	1244.6	120.6	965.2	28	1130.3	60.4		973	877.9	269.7	750
900	36"	1314.4	124	1022.3	28	1193.8	66.5		1031.7	928.7	282.4	795

Ölçüler mm olarak verilmiştir.
Çelik ve paslanmaz üretilebilir.

Dimensions are in mm.
Steel and stainless steel can be produce.