

REDÜKSİYON KONSANTRİK & EKSANTRİK



ASME B 16.9
MSS - SP 75
STD - SCH XS - XXS

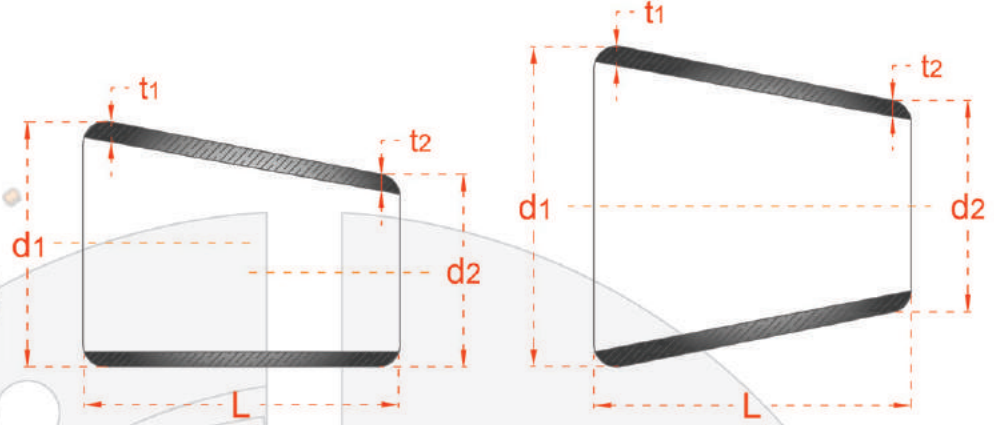


E.M.P.
www.emp.com.tr
www.empflans.com

REDUCER CONCENTRIC & ECCENTRIC



ASME B 16.9
MSS - SP 75
STD - SCH - XS - XXS



INCH	DIŞ ÇAP DİAMETER		L	STD			SCH X.S.			SCH X.X.S.		
	d 1	d 2		t1	t 2	kg	t1	t 2	kg	t1	t 2	kg
3/4" x 1/2"	27	21	38	2.87	2.77	0.07	3.91	3.73	0.10	7.82	7.47	0.19
3/4" x 3/8"	27	17	38	2.87	2.31	0.07	3.91	3.20	0.10	x	x	x
1" x 3/4"	33	27	51	3.38	2.87	0.13	4.55	3.91	0.16	9.09	7.82	0.28
1" x 1/2"	33	21	51	3.38	2.77	0.13	4.55	3.73	0.16	9.09	7.47	0.28
1 1/4" x 1"	42	33	51	3.56	3.38	0.17	4.85	4.55	0.23	9.70	9.09	0.39
1 1/4" x 3/4"	42	27	51	3.56	2.87	0.17	4.85	3.91	0.23	9.70	7.82	0.39
1 1/4" x 1/2"	42	21	51	3.56	2.77	0.17	4.85	3.73	0.23	9.70	7.47	0.39
1 1/2" x 1 1/4"	48	42	64	3.68	3.56	0.26	5.08	4.85	0.35	10.16	9.70	0.61
1 1/2" x 1"	48	33	64	3.68	3.38	0.26	5.08	4.55	0.35	10.16	9.09	0.61
1 1/2" x 3/4"	48	27	64	3.68	2.87	0.26	5.08	3.91	0.35	10.16	7.82	0.61
1 1/2" x 1/2"	48	21	64	3.68	2.77	0.26	5.08	3.73	0.35	10.16	7.47	0.61
2" x 1 1/2"	60	48	76	3.91	3.68	0.41	5.54	5.08	0.57	11.07	10.16	1.03
2" x 1 1/4"	60	42	76	3.91	3.56	0.41	5.54	4.85	0.57	11.07	9.70	1.03
2" x 1"	60	33	76	3.91	3.38	0.41	5.54	4.55	0.57	11.07	9.09	1.03
2" x 3/4"	60	27	76	3.91	2.87	0.41	5.54	3.91	0.57	11.07	7.82	1.03
2 1/2" x 2"	73	60	89	5.16	3.91	0.77	7.01	5.54	1.01	14.02	11.07	1.81
2 1/2" x 1 1/2"	73	48	89	5.16	3.68	0.77	7.01	5.08	1.01	14.02	10.16	1.81
2 1/2" x 1 1/4"	73	42	89	5.16	3.56	0.77	7.01	4.85	1.01	14.02	9.70	1.81
2 1/2" x 1"	73	33	89	5.16	3.38	0.77	7.01	4.55	1.01	14.02	9.09	1.81
3" x 2 1/2"	89	73	89	5.49	5.16	1.00	7.62	7.01	4.36	15.24	14.02	2.47
3" x 2"	89	60	89	5.49	3.91	1.00	7.62	5.54	1.36	15.24	11.07	2.47
3" x 1 1/2"	89	48	89	5.49	3.68	1.00	7.62	5.08	1.36	15.24	10.16	2.47
3" x 1 1/4"	89	42	89	5.49	3.56	1.00	7.62	4.85	1.36	15.24	9.70	2.47
4" x 3"	114	89	102	6.02	5.49	1.60	8.56	7.62	2.27	17.12	15.24	4.18
4" x 2 1/2"	114	73	102	6.02	5.16	1.60	8.56	7.01	2.27	17.12	14.02	4.18

Ölçüler mm olarak verilmiştir.
Çelik ve paslanmaz üretilir.

Dimensions are in mm.
Steel and stainless steel can be produce

REDÜKSİYON KONSANTRİK & EKSANTRİK



ASME B 16.9
MSS - SP 75
STD - SCH 10 - 20

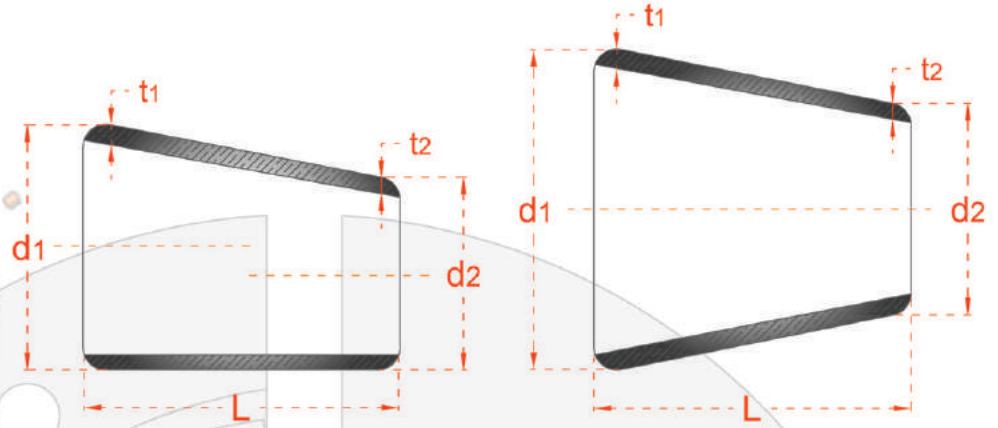


E.M.P.
www.emp.com.tr
www.empflans.com

REDUCER CONCENTRIC & ECCENTRIC



ASME B 16.9
MSS - SP 75
STD - SCH 10 - 20



INCH	DIŞ ÇAP DİAMETER		L	STD			SCH 10			SCH 20		
	d 1	d 2		t1	t 2	kg	t1	t 2	kg	t1	t 2	kg
3/4" x 1/2"	27	21	38	2.87	2.77	0.07	x	x	x	x	x	x
3/4" x 3/8"	27	17	38	2.87	2.31	0.07	x	x	x	x	x	x
1" x 3/4"	33	27	51	3.38	2.87	0.13	x	x	x	x	x	x
1" x 1/2"	33	21	51	3.38	2.77	0.13	x	x	x	x	x	x
1 1/4" x 1"	42	33	51	3.56	3.38	0.17	x	x	x	x	x	x
1 1/4" x 3/4"	42	27	51	3.56	2.87	0.17	x	x	x	x	x	x
1 1/4" x 1/2"	42	21	51	3.56	2.77	0.17	x	x	x	x	x	x
1 1/2" x 1 1/4"	48	42	64	3.68	3.56	0.26	x	x	x	x	x	x
1 1/2" x 1"	48	33	64	3.68	3.38	0.26	x	x	x	x	x	x
1 1/2" x 3/4"	48	27	64	3.68	2.87	0.26	x	x	x	x	x	x
1 1/2" x 1/2"	48	21	64	3.68	2.77	0.26	x	x	x	x	x	x
2" x 1 1/2"	60	48	76	3.91	3.68	0.41	x	x	x	x	x	x
2" x 1 1/4"	60	42	76	3.91	3.56	0.41	x	x	x	x	x	x
2" x 1"	60	33	76	3.91	3.38	0.41	x	x	x	x	x	x
2" x 3/4"	60	27	76	3.91	2.87	0.41	x	x	x	x	x	x
2 1/2" x 2"	73	60	89	5.16	3.91	0.77	x	x	x	x	x	x
2 1/2" x 1 1/2"	73	48	89	5.16	3.68	0.77	x	x	x	x	x	x
2 1/2" x 1 1/4"	73	42	89	5.16	3.56	0.77	x	x	x	x	x	x
2 1/2" x 1"	73	33	89	5.16	3.38	0.77	x	x	x	x	x	x
3" x 2 1/2"	89	73	89	5.49	5.16	1.00	x	x	x	x	x	x
3" x 2"	89	60	89	5.49	3.91	1.00	x	x	x	x	x	x
3" x 1 1/2"	89	48	89	5.49	3.68	1.00	x	x	x	x	x	x
3" x 1 1/4"	89	42	89	5.49	3.56	1.00	x	x	x	x	x	x
4" x 3"	114	89	102	6.02	5.49	1.60	x	x	x	x	x	x
4" x 2 1/2"	114	73	102	6.02	5.16	1.60	x	x	x	x	x	x

Ölçüler mm olarak verilmiştir.
Çelik ve paslanmaz üretilebilir.

Dimensions are in mm.
Steel and stainless steel can be produce

REDÜKSİYON KONSANTRİK & EKSANTRİK



ASME B 16.9
MSS - SP 75
STD - SCH X.S. - X.X.S.

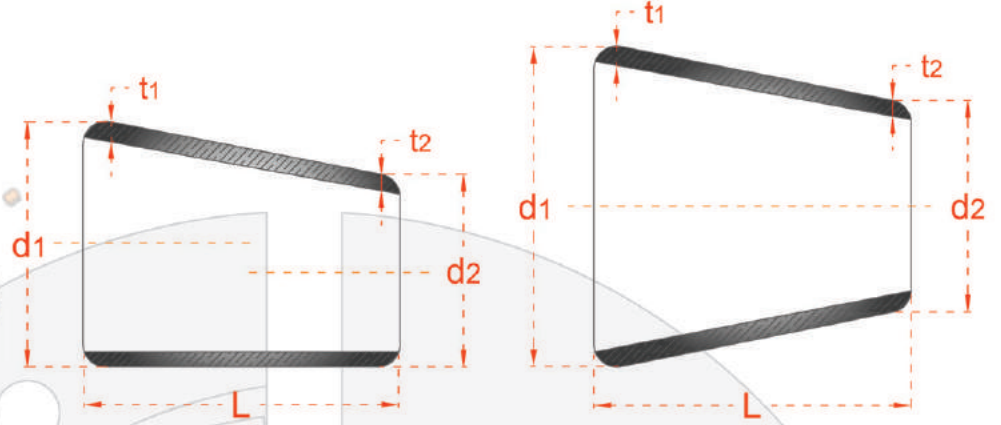


E.M.P.
www.emp.com.tr
www.empflans.com

REDUCER CONCENTRIC & ECCENTRIC



ASME B 16.9
MSS - SP 75
STD - SCH X.S. - X.X.S.



INCH	DIŞ ÇAP	DIŞ ÇAP	L	STD			SCH X.S.			SCH X.X.S.		
	DİAMETER	DİAMETER		t1	t2	kg	t1	t2	kg	t1	t2	kg
4" x 2"	114	60	102	6.02	3.91	1.60	8.56	5.54	2.27	17.12	11.07	4.18
4" x 1 1/2"	114	48	102	6.02	3.68	1.60	8.56	5.08	2.27	17.12	10.16	4.18
5" x 4"	141	114	127	6.55	6.02	2.8	9.52	8.56	3.93	19.05	17.12	7.31
5" x 3"	141	89	127	6.55	5.49	2.8	9.52	7.62	3.93	19.05	15.24	7.31
5" x 2 1/2"	141	73	127	6.55	5.16	2.8	9.52	7.01	3.93	19.05	14.02	7.31
5" x 2"	141	60	127	6.55	3.91	2.8	9.52	5.54	3.93	19.05	11.07	7.31
6" x 5"	168	141	140	7.11	6.55	3.9	10.97	9.52	5.95	21.95	19.05	11.08
6" x 4"	168	114	140	7.11	6.02	3.9	10.97	8.56	5.95	21.95	17.12	11.08
6" x 3"	168	89	140	7.11	5.49	3.9	10.97	7.62	5.95	21.95	15.24	11.08
6" x 2 1/2"	168	73	140	7.11	5.16	3.9	10.97	7.01	5.95	21.95	14.02	11.08
8" x 6"	219	168	152	8.18	7.11	6.5	12.7	10.97	9.86	22.23	21.95	18.0
8" x 5"	219	141	152	8.18	6.55	6.5	12.7	9.52	9.86	22.23	19.05	17.0
8" x 4"	219	114	152	8.18	6.02	6.5	12.7	8.56	9.86	22.23	17.12	16.43
10" x 8"	273	219	178	9.27	8.18	10.7	12.7	12.7	14.5	25.4	22.23	29.0
10" x 6"	273	168	178	9.27	7.11	10.7	12.7	10.97	14.5	25.4	21.95	29.0
10" x 5"	273	141	178	9.27	6.55	10.7	12.7	9.52	14.5	25.4	19.05	28.0
10" x 4"	273	114	178	9.27	6.02	10.7	12.7	8.56	14.5	25.4	17.12	28.0
12" x 10"	324	273	203	9.52	9.27	15.0	12.7	12.7	19.8	25.4	25.40	42.0
12" x 8"	324	219	203	9.52	8.18	15.0	12.7	12.7	19.8	25.4	22.23	40.0
12" x 6"	324	168	203	9.52	7.11	15.0	12.7	10.97	19.8	25.4	21.95	39.0
12" x 5"	324	141	203	9.52	6.55	15.0	12.7	9.52	19.8	25.4	19.05	38.0
14" x 12"	356	324	330	9.52	9.52	26.9	12.7	12.7	35.5	x	x	x
14" x 10"	356	273	330	9.52	9.27	26.9	12.7	12.7	35.5	x	x	x
14" x 8"	356	219	330	9.52	8.18	26.9	12.7	12.7	35.5	x	x	x
14" x 6"	356	168	330	9.52	7.11	26.9	12.7	10.97	35.5	x	x	x

Ölçüler mm olarak verilmiştir.
Çelik ve paslanmaz üretilebilir.

Dimensions are in mm.
Steel and stainless steel can be produce

REDÜKSİYON KONSANTRİK & EKSANTRİK



ASME B 16.9
MSS - SP 75
STD - SCH 10 - 20

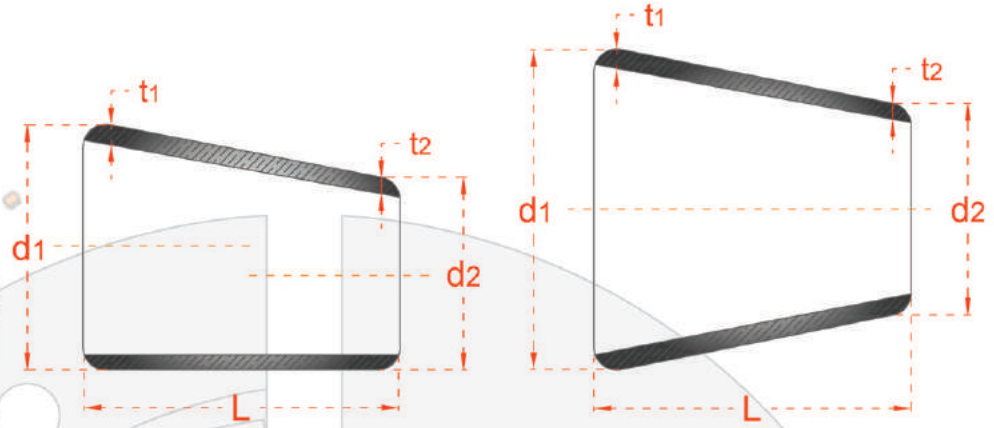


E.M.P.
www.emp.com.tr
www.empflans.com

REDUCER CONCENTRIC & ECCENTRIC



ASME B 16.9
MSS - SP 75
STD - SCH 10 - 20



INCH	DIŞ ÇAP DİAMETER		L	STD			SCH 10			SCH 20		
	d 1	d 2		t1	t 2	kg	t1	t 2	kg	t1	t 2	kg
4" x 2"	114	60	102	6.02	3.91	1.60	x	x	x	x	x	x
4" x 1 1/2"	114	48	102	6.02	3.68	1.60	x	x	x	x	x	x
5" x 4"	141	114	127	6.55	6.02	2.8	x	x	x	x	x	x
5" x 3"	141	89	127	6.55	5.49	2.8	x	x	x	x	x	x
5" x 2 1/2"	141	73	127	6.55	5.16	2.8	x	x	x	x	x	x
5" x 2"	141	60	127	6.55	3.91	2.8	x	x	x	x	x	x
6" x 5"	168	141	140	7.11	6.55	3.9	x	x	x	x	x	x
6" x 4"	168	114	140	7.11	6.02	3.9	x	x	x	x	x	x
6" x 3"	168	89	140	7.11	5.49	3.9	x	x	x	x	x	x
6" x 2 1/2"	168	73	140	7.11	5.16	3.9	x	x	x	x	x	x
8" x 6"	219	168	152	8.18	7.11	6.5	x	x	x	x	x	x
8" x 5"	219	141	152	8.18	6.55	6.5	x	x	x	x	x	x
8" x 4"	219	114	152	8.18	6.02	6.5	x	x	x	x	x	x
10" x 8"	273	219	178	9.27	8.18	10.7	x	x	x	6,35	6.35	7.50
10" x 6"	273	168	178	9.27	7.11	10.7	x	x	x	x	x	x
10" x 5"	273	141	178	9.27	6.55	10.7	x	x	x	x	x	x
10" x 4"	273	114	178	9.27	6.02	10.7	x	x	x	x	x	x
12" x 10"	324	273	203	9.52	9.27	15.0	x	x	x	6.35	6.35	10.16
12" x 8"	324	219	203	9.52	8.18	15.0	x	x	x	6.35	6.35	10.16
12" x 6"	324	168	203	9.52	7.11	15.0	x	x	x	x	x	x
12" x 5"	324	141	203	9.52	6.55	15.0	x	x	x	x	x	x
14" x 12"	356	324	330	9.52	9.52	26.9	x	x	x	7.92	6.35	22.6
14" x 10"	356	273	330	9.52	9.27	26.9	x	x	x	7.92	6.35	22.6
14" x 8"	356	219	330	9.52	8.18	26.9	x	x	x	7.92	6.35	22.6
14" x 6"	356	168	330	9.52	7.11	26.9	x	x	x	x	x	x

Ölçüler mm olarak verilmiştir.
Çelik ve paslanmaz üretilebilir.

Dimensions are in mm.
Steel and stainless steel can be produce

REDÜKSİYON KONSANTRİK & EKSANTRİK



ASME B 16.9
MSS - SP 75
STD - SCH X.S. - X.X.S.

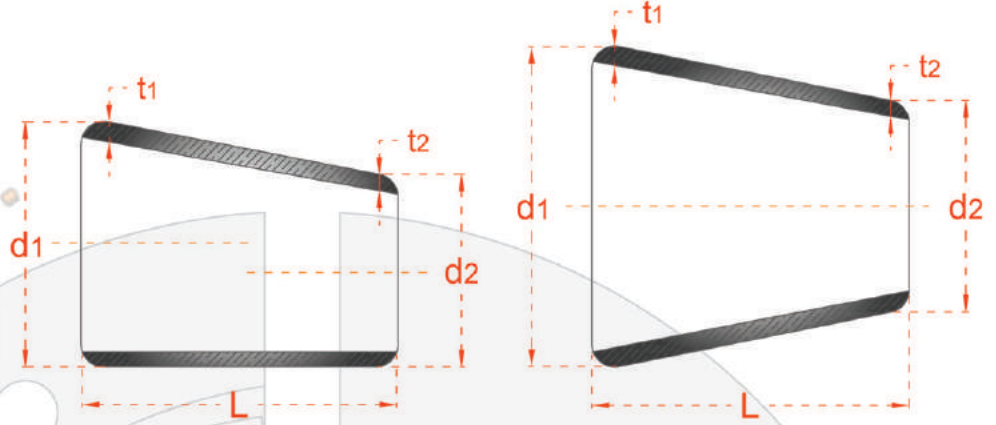


E.M.P.
www.emp.com.tr
www.empflans.com

REDUCER CONCENTRIC & ECCENTRIC



ASME B 16.9
MSS - SP 75
STD - SCH X.S. - X.X.S.



INCH	DIŞ ÇAP DİAMETER		L	STD			SCH X.S.			SCH X.X.S.		
	d 1	d 2		t1	t 2	kg	t1	t 2	kg	t1	t 2	kg
16" x 14"	406	356	356	9.52	9.52	33.0	12.7	12.7	44.0	x	x	x
16" x 12"	406	324	356	9.52	9.52	33.0	12.7	12.7	44.0	x	x	x
16" x 10"	406	273	356	9.52	9.27	33.0	12.7	12.7	44.0	x	x	x
16" x 8"	406	219	356	9.52	8.18	33.0	12.7	12.7	44.0	x	x	x
18" x 16"	457	406	381	9.52	9.52	40.0	12.7	12.7	53.0	x	x	x
18" x 14"	457	356	381	9.52	9.52	40.0	12.7	12.7	53.0	x	x	x
18" x 12"	457	324	381	9.52	9.52	40.0	12.7	12.7	53.0	x	x	x
18" x 10"	457	273	381	9.52	9.27	40.0	12.7	12.7	53.0	x	x	x
20" x 18"	508	457	508	9.52	9.52	59.0	12.7	12.7	79.0	x	x	x
20" x 16"	508	406	508	9.52	9.52	59.0	12.7	12.7	79.0	x	x	x
20" x 14"	508	356	508	9.52	9.52	59.0	12.7	12.7	79.0	x	x	x
20" x 12"	508	324	508	9.52	9.52	59.0	12.7	12.7	79.0	x	x	x
24" x 20"	610	508	508	9.52	9.52	72.0	12.7	12.7	95.0	x	x	x
24" x 18"	610	457	508	9.52	9.52	72.0	12.7	12.7	95.0	x	x	x
24" x 16"	610	406	508	9.52	9.52	72.0	12.7	12.7	95.0	x	x	x

Ölçüler mm olarak verilmiştir.
Çelik ve paslanmaz üretilebilir.

Dimensions are in mm.
Steel and stainless steel can be produce

REDÜKSİYON KONSANTRİK & EKSANTRİK



ASME B 16.9
MSS - SP 75
STD - SCH 10 - 20

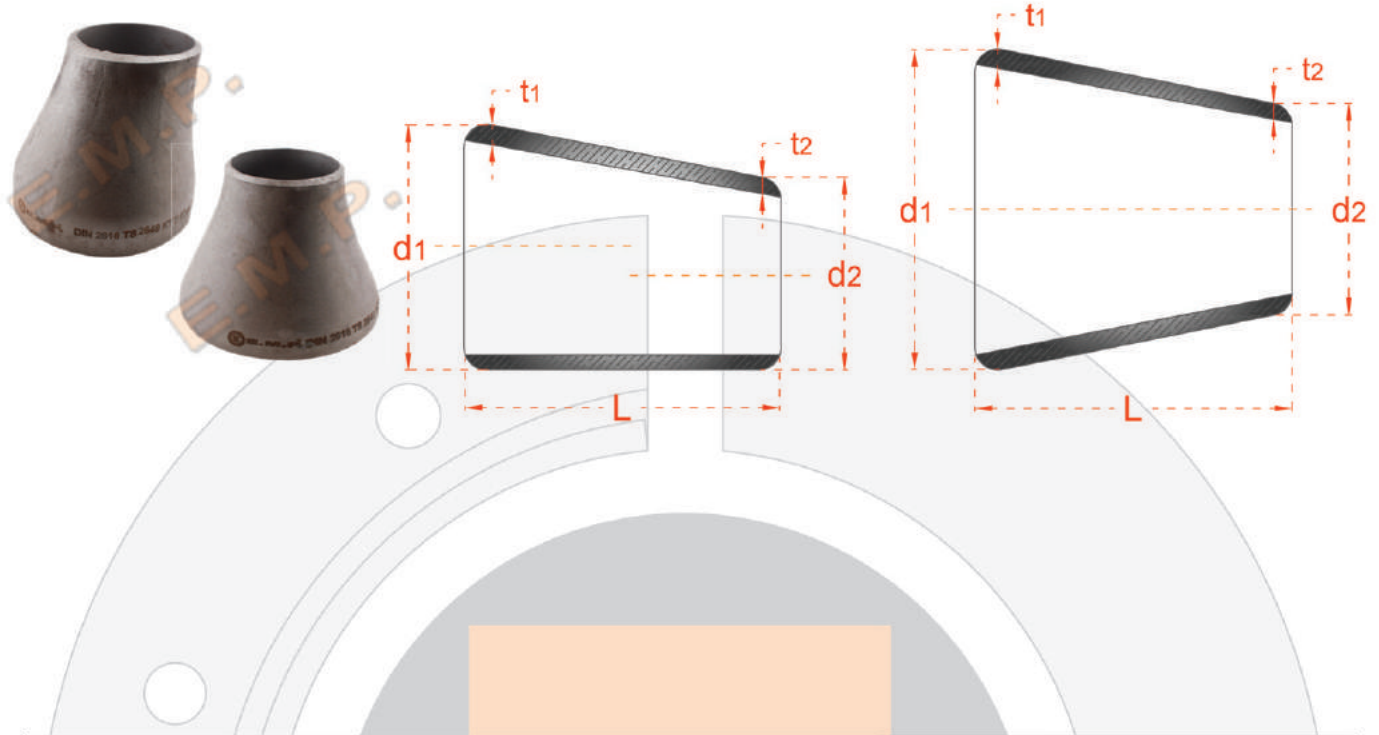


E.M.P.
www.emp.com.tr
www.empflans.com

REDUCER CONCENTRIC & ECCENTRIC



ASME B 16.9
MSS - SP 75
STD - SCH 10 - 20



INCH	DIŞ ÇAP DİAMETER d 1	DIŞ ÇAP DİAMETER d 2	L	STD			SCH 10			SCH 20		
				t1	t 2	kg	t1	t 2	kg	t1	t 2	kg
16" x 14"	406	356	356	9.52	9.52	33.0	6.35	6.35	28.00	7.92	7.92	27.9
16" x 12"	406	324	356	9.52	9.52	33.0	x	x	x	7.92	6.35	27.9
16" x 10"	406	273	356	9.52	9.27	33.0	x	x		7.92	6.35	27.9
16" x 8"	406	219	356	9.52	8.18	33.0	x	x	x	7.92	6.35	27.9
18" x 16"	457	406	381	9.52	9.52	40.0	6.35	6.35	34.00	7.92	7.92	33.3
18" x 14"	457	356	381	9.52	9.52	40.0	6.35	6.35	34.00	7.92	7.92	33.3
18" x 12"	457	324	381	9.52	9.52	40.0	x	x	x	7.92	6.35	33.3
18" x 10"	457	273	381	9.52	9.27	40.0	x	x	x	7.92	6.35	33.3
20" x 18"	508	457	508	9.52	9.52	59.0	6.35	6.35	50.00	9.52	7.92	58.0
20" x 16"	508	406	508	9.52	9.52	59.0	6.35	6.35	50.00	9.52	7.92	58.0
20" x 14"	508	356	508	9.52	9.52	59.0	6.35	6.35	50.00	9.52	7.92	58.0
20" x 12"	508	324	508	9.52	9.52	59.0	x	x	x	9.52	6.35	58.0
24" x 20"	610	508	508	9.52	9.52	72.0	6.35	6.35	63.00	9.52	9.52	72.0
24" x 18"	610	457	508	9.52	9.52	72.0	6.35	6.35	63.00	9.52	7.92	72.0
24" x 16"	610	406	508	9.52	9.52	72.0	6.35	6.35	63.00	9.52	7.92	72.0

Ölçüler mm olarak verilmiştir.
Çelik ve paslanmaz üretilebilir.

Dimensions are in mm.
Steel and stainless steel can be produce

REDÜKSİYON KONSANTRİK & EKSANTRİK



ASME B 16.9
MSS - SP 75
SCH 30 - 40 - 60 - 80

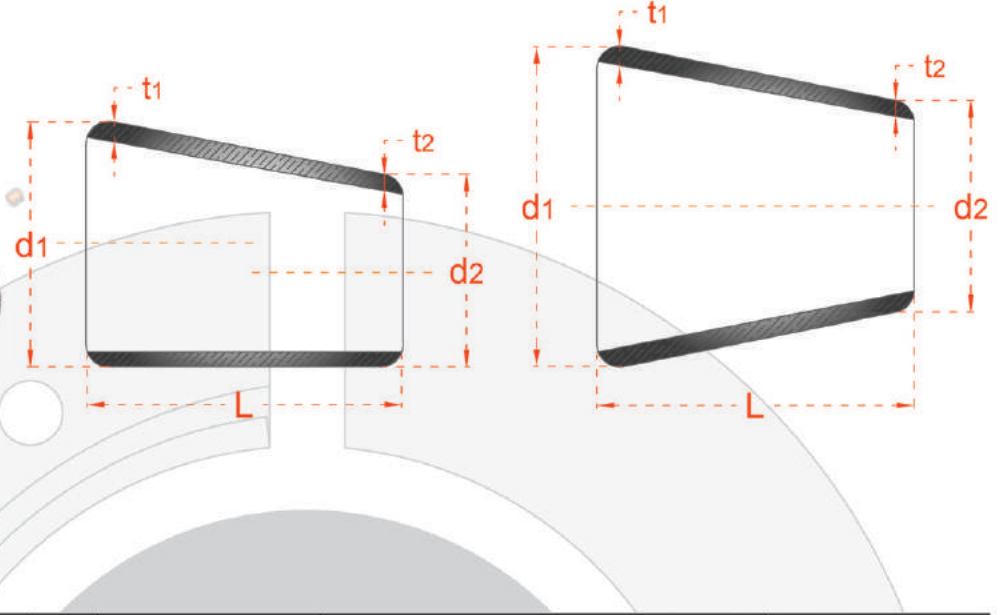


E.M.P.
www.emp.com.tr
www.empflans.com

REDUCER CONCENTRIC & ECCENTRIC



ASME B 16.9
MSS - SP 75
SCH 30 - 40 - 60 - 80



INCH	DIŞ ÇAP	DIŞ ÇAP	L	SCH 30			SCH 40			SCH 60			SCH 80		
	DİAMETER	DİAMETER		t1	t2	kg	t1	t2	kg	t1	t2	kg	t1	t2	kg
3/4" x 1/2"	27	21	38	2.41	2.41	x	2.87	2.77	0.07	x	x	x	3.91	3.73	0.10
3/4" x 3/8"	27	17	38	2.41	1.85	x	2.87	2.31	0.07	x	x	x	3.91	3.20	0.10
1" x 3/4"	33	27	51	2.90	2.41	x	3.38	2.87	0.13	x	x	x	4.55	3.91	0.16
1" x 1/2"	33	21	51	2.90	2.41	x	3.38	2.77	0.13	x	x	x	4.55	3.73	0.16
1 1/4" x 1"	42	33	51	2.97	2.90	x	3.56	3.38	0.17	x	x	x	4.85	4.55	0.23
1 1/4" x 3/4"	42	27	51	2.97	2.41	x	3.56	2.87	0.17	x	x	x	4.85	3.91	0.23
1 1/4" x 1/2"	42	21	51	2.97	2.41	x	3.56	2.77	0.17	x	x	x	4.85	3.73	0.23
1 1/2" x 1 1/4"	48	42	64	3.18	2.97	x	3.68	3.56	0.26	x	x	x	5.08	4.85	0.35
1 1/2" x 1"	48	33	64	3.18	2.90	x	3.68	3.38	0.26	x	x	x	5.08	4.55	0.35
1 1/2" x 3/4"	48	27	64	3.18	2.41	x	3.68	2.87	0.26	x	x	x	5.08	3.91	0.35
1 1/2" x 1/2"	48	21	64	3.18	2.41	x	3.68	2.77	0.26	x	x	x	5.08	3.73	0.35
2" x 1 1/2"	60	48	76	3.18	3.18	x	3.91	3.68	0.41	x	x	x	5.54	5.08	0.57
2" x 1 1/4"	60	42	76	3.18	2.97	x	3.91	3.56	0.41	x	x	x	5.54	4.85	0.57
2" x 1"	60	33	76	3.18	2.90	x	3.91	3.38	0.41	x	x	x	5.54	4.55	0.57
2" x 3/4"	60	27	76	3.18	2.41	x	3.91	2.87	0.41	x	x	x	5.54	3.91	0.57
2 1/2" x 2"	73	60	89	4.78	3.18	x	5.16	3.91	0.77	x	x	x	7.01	5.54	1.01
2 1/2" x 1 1/2"	73	48	89	4.78	3.18	x	5.16	3.68	0.77	x	x	x	7.01	5.08	1.01
2 1/2" x 1 1/4"	73	42	89	4.78	2.97	x	5.16	3.56	0.77	x	x	x	7.01	4.85	1.01
2 1/2" x 1"	73	33	89	4.78	2.90	x	5.16	3.38	0.77	x	x	x	7.01	4.55	1.01
3" x 2 1/2"	89	73	89	4.78	4.78	x	5.49	5.16	1.00	x	x	x	7.62	7.01	4.36
3" x 2"	89	60	89	4.78	3.18	x	5.49	3.91	1.00	x	x	x	7.62	5.54	1.36
3" x 1 1/2"	89	48	89	4.78	3.18	x	5.49	3.68	1.00	x	x	x	7.62	5.08	1.36
3" x 1 1/4"	89	42	89	4.78	2.97	x	5.49	3.56	1.00	x	x	x	7.62	4.85	1.36
4" x 3"	114	89	102	4.78	4.78	x	6.02	5.49	1.60	x	x	x	8.56	7.62	2.27
4" x 2 1/2"	114	73	102	4.78	4.78	x	6.02	5.16	1.60	x	x	x	8.56	7.01	2.27

Ölçüler mm olarak verilmiştir.
Çelik ve paslanmaz üretilir.

Dimensions are in mm.
Steel and stainless steel can be produce

REDÜKSİYON KONSANTRİK & EKSANTRİK



ASME B 16.9
MSS - SP 75
SCH 30 - 40 - 60 - 80

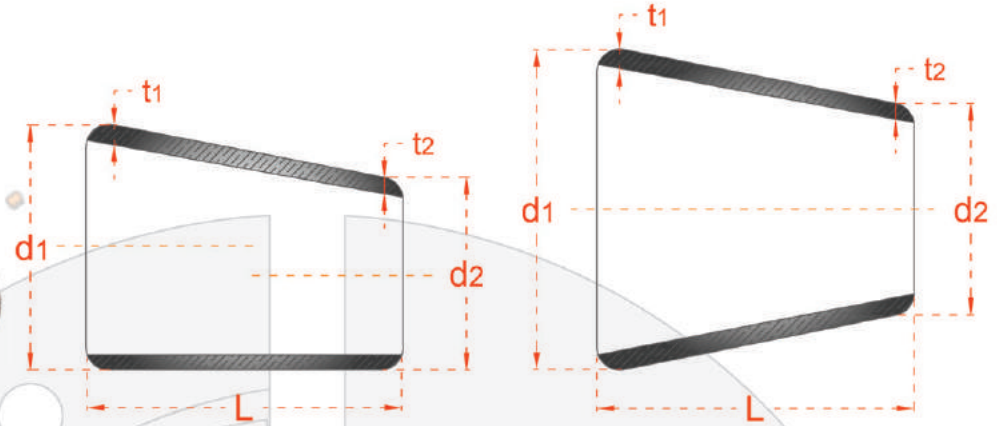


E.M.P.
www.emp.com.tr
www.empflans.com

REDUCER CONCENTRIC & ECCENTRIC



ASME B 16.9
MSS - SP 75
SCH 30 - 40 - 60 - 80



INCH	DIŞ ÇAP DİAMETER		L	SCH 30			SCH 40			SCH 60			SCH 80		
	d 1	d 2		t1	t 2	kg	t1	t 2	kg	t1	t 2	kg	t1	t 2	kg
4" x 2"	114	60	102	4.78	3.18	x	6.02	3.91	1.60	x	x	x	8.56	5.54	2.27
4" x 1 1/2"	114	48	102	4.78	3.18	x	6.02	3.68	1.60	x	x	x	8.56	5.08	2.27
5" x 4"	141	114	127	x	x	x	6.55	6.02	2.80	x	x	x	9.52	8.56	3.93
5" x 3"	141	89	127	x	x	x	6.55	5.49	2.80	x	x	x	9.52	7.62	3.93
5" x 2 1/2"	141	73	127	x	x	x	6.55	5.16	2.80	x	x	x	9.52	7.01	3.93
5" x 2"	141	60	127	x	x	x	6.55	3.91	2.80	x	x	x	9.52	5.54	3.93
6" x 5"	168	141	140	x	x	x	7.11	6.55	3.90	x	x	x	10.97	9.52	5.95
6" x 4"	168	114	140	x	x	x	7.11	6.02	3.90	x	x	x	10.97	8.56	5.95
6" x 3"	168	89	140	x	x	x	7.11	5.49	3.90	x	x	x	10.97	7.62	5.95
6" x 2 1/2"	168	73	140	x	x	x	7.11	5.16	3.90	x	x	x	10.97	7.01	5.95
8" x 6"	219	168	152	x	x	x	8.18	7.11	6.50	x	x	x	12.7	10.97	9.86
8" x 5"	219	141	152	x	x	x	8.18	6.55	6.50	x	x	x	12.7	9.52	9.86
8" x 4"	219	114	152	x	x	x	8.18	6.02	6.50	x	x	x	12.7	8.56	9.86
10" x 8"	273	219	178	7.80	7.03	9.00	9.27	8.18	10.7	12.7	10.31	14.5	15.09	12.7	17.0
10" x 6"	273	168	178	x	x	x	9.27	7.11	10.7	x	x	x	15.09	10.97	17.0
10" x 5"	273	141	178	x	x	x	9.27	6.55	10.7	x	x	x	15.09	9.52	17.0
10" x 4"	273	114	178	x	x	x	9.27	6.02	10.7	x	x	x	15.09	8.56	17.0
12" x 10"	324	273	203	8.38	7.80	13.2	10.31	9.27	16.3	14.27	12.7	22.2	17.48	15.09	26.8
12" x 8"	324	219	203	8.38	7.03	13.2	10.31	8.18	16.3	14.27	10.31	22.2	17.48	12.7	26.8
12" x 6"	324	168	203	x	x	x	10.31	7.11	16.30	x	x	x	17.48	10.97	26.8
12" x 5"	324	141	203	x	x	x	10.31	6.55	16.30	x	x	x	17.48	9.52	26.8
14" x 12"	356	324	330	9.52	8.38	26.8	11.13	10.31	31.1	15.09	14.27	42.0	19.05	17.48	52.2
14" x 10"	356	273	330	9.52	7.80	26.8	11.13	9.27	31.1	15.09	12.7	42.0	19.05	15.09	52.2
14" x 8"	356	219	330	9.52	7.03	26.8	11.13	8.18	31.1	15.09	10.31	42.0	19.05	12.7	52.2
14" x 6"	356	168	330	x	x	x	11.13	7.11	31.1	x	x	x	19.05	10.97	52.2

Ölçüler mm olarak verilmiştir.
Çelik ve paslanmaz üretilir.

Dimensions are in mm.
Steel and stainless steel can be produce

REDÜKSİYON KONSANTRİK & EKSANTRİK



ASME B 16.9
MSS - SP 75
SCH 30 - 40 - 60 - 80

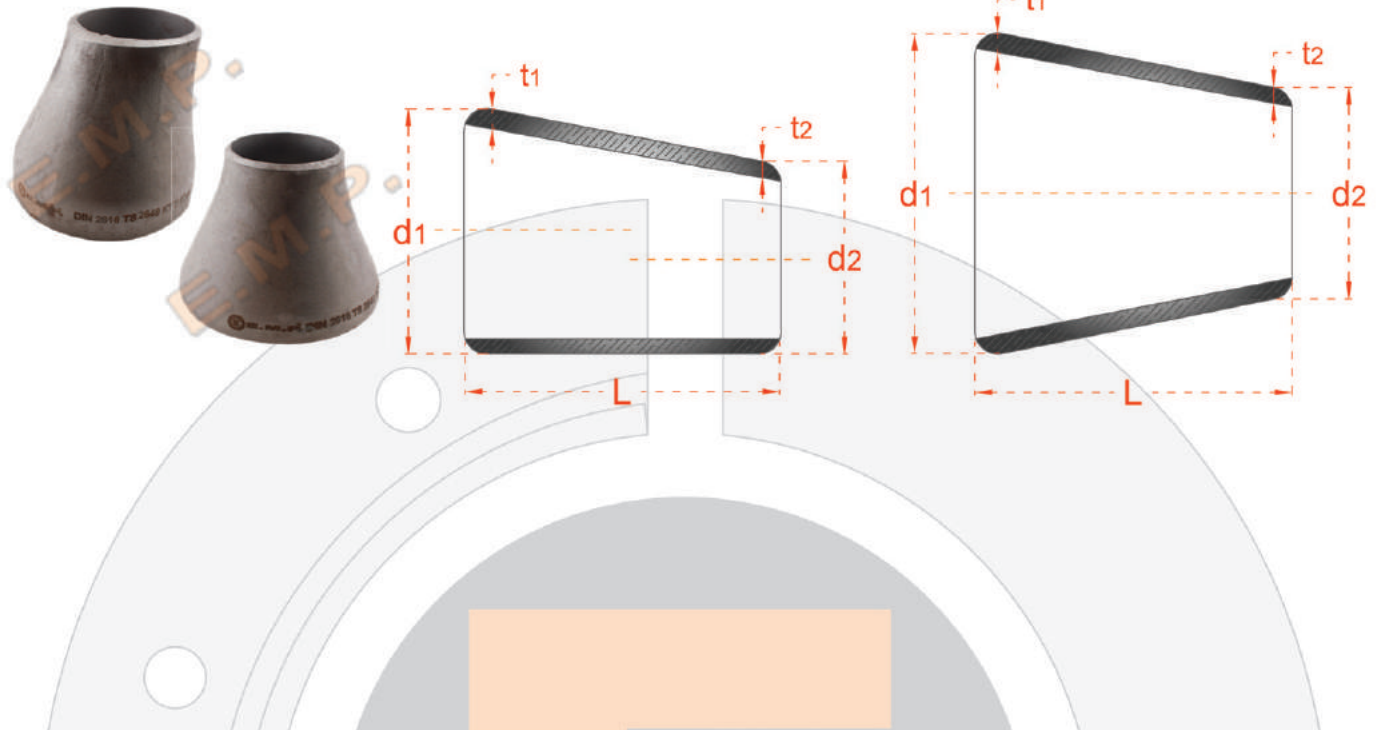


E.M.P.
www.emp.com.tr
www.empflans.com

REDUCER CONCENTRIC & ECCENTRIC



ASME B 16.9
MSS - SP 75
SCH 30 - 40 - 60 - 80



INCH	DIŞ ÇAP	DIŞ ÇAP	L	SCH 30			SCH 40			SCH 60			SCH 80		
	DİAMETER	DİAMETER		t1	t2	kg	t1	t2	kg	t1	t2	kg	t1	t2	kg
16" x 14"	406	356	356	9.52	9.52	33.1	12.70	11.13	43.8	16.66	15.09	57.0	21.44	19.05	72.2
16" x 12"	406	324	356	9.52	8.38	33.1	12.70	10.31	43.8	16.66	14.27	57.0	21.44	17.48	72.2
16" x 10"	406	273	356	9.52	7.80	33.1	12.70	9.27	43.8	16.66	12.70	57.0	21.44	15.09	72.2
16" x 8"	406	219	356	9.52	7.03	33.1	12.70	8.18	43.8	16.66	10.31	57.0	21.44	12.70	72.2
18" x 16"	457	406	381	11.13	9.52	48.0	14.27	12.70	59.0	19.05	16.66	79.0	23.83	21.44	96.7
18" x 14"	457	356	381	11.13	9.52	48.0	14.27	11.13	59.0	19.05	15.09	79.0	23.83	19.05	96.7
18" x 12"	457	324	381	11.13	8.38	48.0	14.27	10.31	59.0	19.05	14.27	79.0	23.83	17.48	96.7
18" x 10"	457	273	381	11.13	7.80	48.0	14.27	9.27	59.0	19.05	12.70	79.0	23.83	15.09	96.7
20" x 18"	508	457	508	12.7	11.13	79.0	15.09	14.27	93.0	20.62	19.05	126.0	26.18	23.83	158
20" x 16"	508	406	508	12.7	9.52	79.0	15.09	12.70	93.0	20.62	16.66	126.0	26.18	21.44	158
20" x 14"	508	356	508	12.7	9.52	79.0	15.09	11.13	93.0	20.62	15.09	126.0	26.18	19.05	158
20" x 12"	508	324	508	12.7	8.38	79.0	15.09	10.31	93.0	20.62	14.27	126.0	26.18	17.48	158
24" x 20"	610	508	508	14.27	12.70	107.0	17.48	15.09	129.0	24.61	20.62	180.0	30.96	26.18	228
24" x 18"	610	457	508	14.27	11.13	107.0	17.48	14.27	129.0	24.61	19.05	180.0	30.96	23.83	228
24" x 16"	610	406	508	14.27	9.52	107.0	17.48	12.70	129.0	24.61	16.66	180.0	30.96	21.44	228

Ölçüler mm olarak verilmiştir.
Çelik ve paslanmaz üretilebilir.

Dimensions are in mm.
Steel and stainless steel can be produce