

90° & 180° DİRSEK KISA RADIUS



TS EN 10253 - 1
DIN 2605 2 D r 1

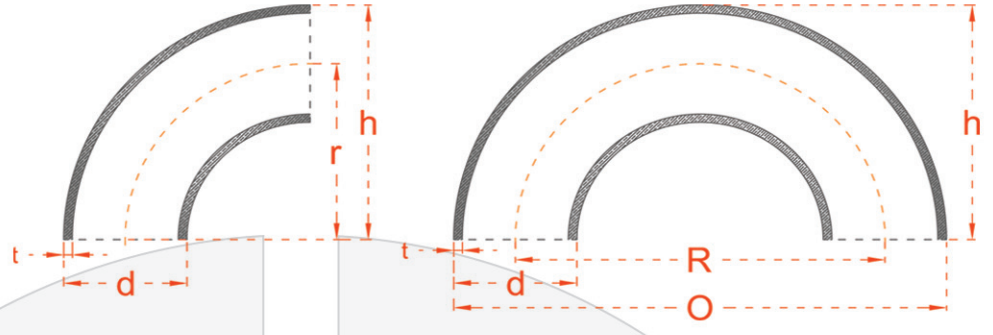
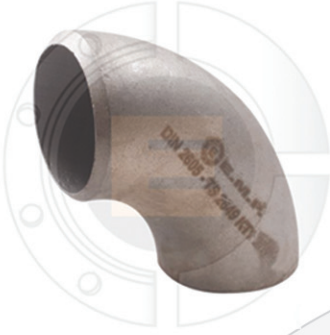


E.M.P.
www.emp.com.tr
www.empflans.com

90° & 180° ELBOW SHORT RADIUS



TS EN 10253 1
DIN 2605 2 D r 1



DN	DIŞ ÇAP DIAMETER	ET KALINLIĞI WALL THICKNESS	YÜKSEKLİK HEIGHT	90° RADIUS		180°	90° r TOLERANS	180° r TOLERANS	ORTALAMA AĞIRLIK AVERAGE WEIGHT	
				90° RADIUS	180° RADIUS	DIŞTAN DIŞA			90° r TOLERANCE	180° r TOLERANCE
	d	t	h	r	R	O				
20	26.9	2.3	39	25	50	78	2,5 ±	5 ±	0.05	0.10
25	33.7	2.6	42	25	50	84			0.09	0.18
32	42.4	2.6	53	32	64	106			0.15	0.30
40	48.3	2.6	62	38	76	124			0.20	0.40
50	60.3	2.9	81	51	102	162			0.36	0.72
65	76.1	2.9	102	63	126	204	5 ±	10 ±	0.58	1.16
80	88.9	3.2	121	76	152	242			0.88	1.76
100	114.3	3.6	159	102	204	318			1.63	3.26
125	139.7	4	197	127	254	394			2.80	5.60
150	168.3	4.5	237	152	304	474	5 ±	10 ±	4.40	8.80
200	219.1	5.9	313	203	406	626	10 ±	20 ±	10.20	20.40
250	273	6.3	391	254	508	782			16.60	33.20
300	323.9	7.1	467	305	610	934			26.60	53.20
350	355.6	8	533	355	710	1066			38.00	76.00
400	406	8.8	610	406	813	1220	25 ±	50 ±	54.80	109.60
450	457.2	10	686	457	914	1372			79.00	158.00
500	508	11	762	508	1016	1524			107.00	214.00
600	609.6	12.5	914	610	1220	1828			175.00	350.00

Ölçüler mm olarak verilmiştir.
Çelik ve paslanmaz üretilir.

Dimensions are in mm.
Steel and stainless steel can produce.