

DÖVME ÇELİK, SOKET TE



3000 LB & 6000 LB
ANSI B 16.11

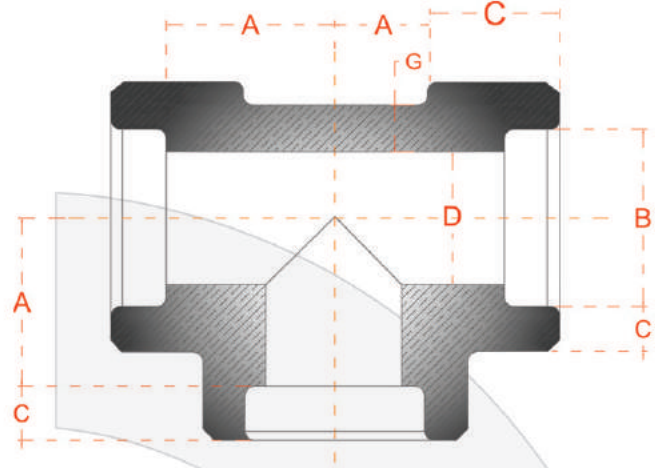


E.M.P.
www.emp.com.tr
www.empflans.com

FORGED SOCKET WELDING TE



3000 LB & 6000 LB
ANSI B 16.11



	A					
	3000 LB		6000 LB		Tolerances + -	
	mm	inc	mm	inc	mm	inc
1/4"	11.0	0.44	13.5	0.53	1.0	0.03
3/8"	13.5	0.53	15.5	0.62	1.5	0.06
1/2"	15.5	0.62	19.5	0.75	1.5	0.06
3/4"	19.5	0.75	22.5	0.88	1.5	0.06
1"	22.0	0.88	27.0	1.06	2.0	0.08
1 1/4"	27.0	1.06	32.0	1.25	2.0	0.08
1 1/2"	32.0	1.25	38.0	1.50	2.0	0.08
2"	38.0	1.50	41.0	1.62	2.0	0.08
2 1/2"	41.5	1.62			2.5	0.10
3"	57.5	2.25			2.5	0.10
4"	66.5	2.62			2.5	0.10

Ölçüler mm olarak verilmiştir.
Çelik ve paslanmaz üretilebilir.

Dimensions are in mm.
Steel and stainless steel can be produce

B - C - D - G ÖLÇÜLERİNE SAYFA 149'A BAKINIZ.