

## DÖVME ÇELİK, TRİDOLET



3000 LB & 6000 LB  
ANSI B 16.11

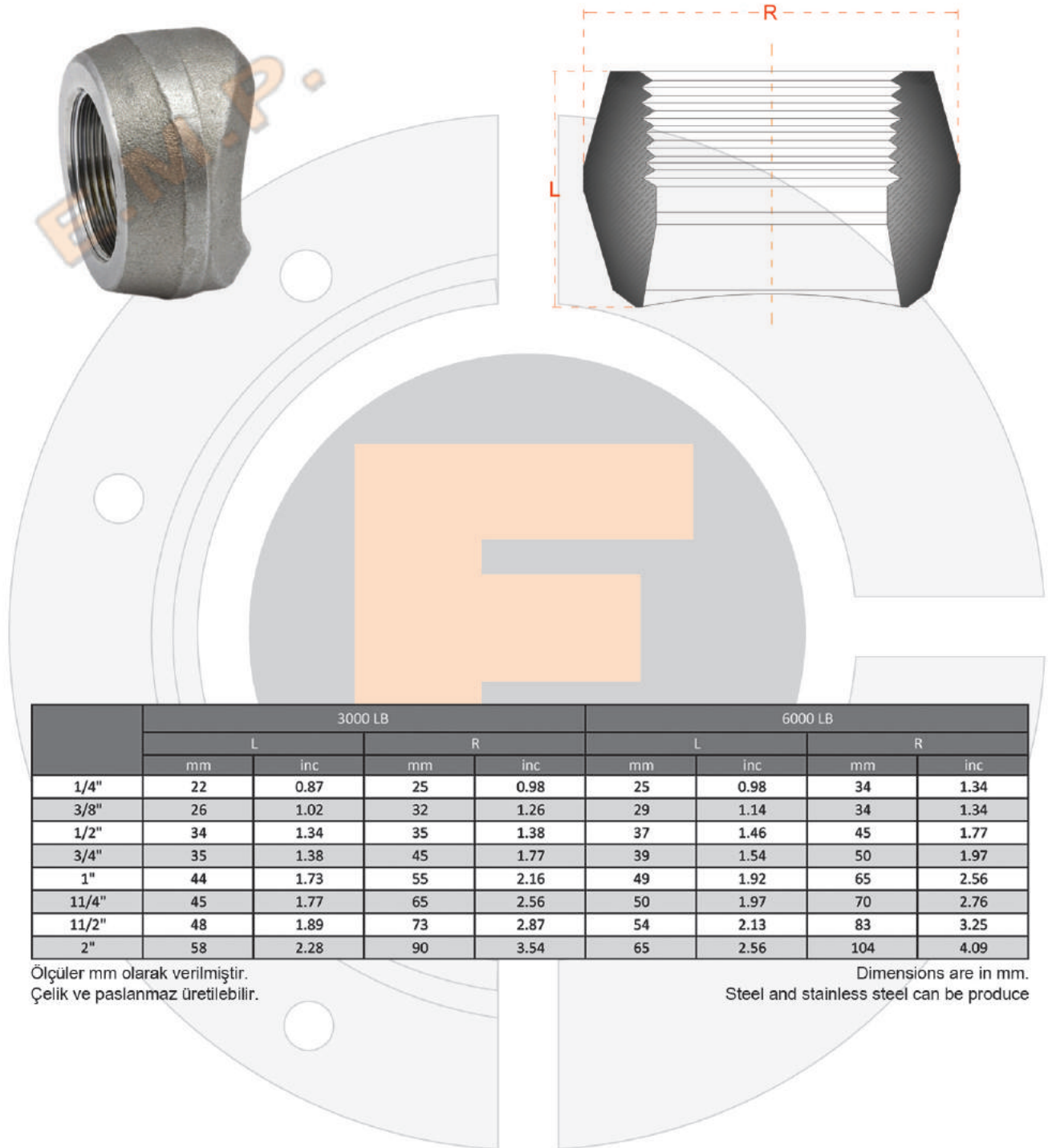


**E.M.P.**  
www.emp.com.tr  
www.empflans.com

## FORGED STEEL THREADED



3000 LB & 6000 LB  
ANSI B 16.11



	3000 LB				6000 LB			
	L		R		L		R	
	mm	inc	mm	inc	mm	inc	mm	inc
1/4"	22	0.87	25	0.98	25	0.98	34	1.34
3/8"	26	1.02	32	1.26	29	1.14	34	1.34
1/2"	34	1.34	35	1.38	37	1.46	45	1.77
3/4"	35	1.38	45	1.77	39	1.54	50	1.97
1"	44	1.73	55	2.16	49	1.92	65	2.56
1 1/4"	45	1.77	65	2.56	50	1.97	70	2.76
1 1/2"	48	1.89	73	2.87	54	2.13	83	3.25
2"	58	2.28	90	3.54	65	2.56	104	4.09

Ölçüler mm olarak verilmiştir.  
Çelik ve paslanmaz üretilir.

Dimensions are in mm.  
Steel and stainless steel can be produce