

**DÖVME ÇELİK, DIŞLİ KUYRUKLU
RAKOR (DİŞİ - ERKEK RAKOR)**



3000 LB & 6000 LB
ANSI B 16.11

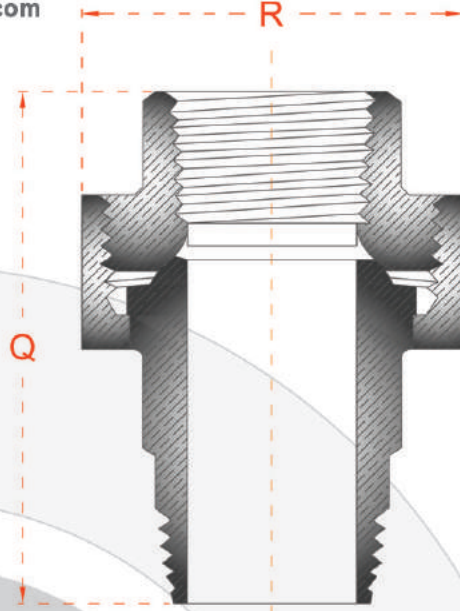


E.M.P.
www.emp.com.tr
www.empflans.com

**THREADED FORGED STEEL UNION
(MALE - FEMALE)**



3000 LB & 6000 LB
ANSI B 16.11



	3000 LB				6000 LB			
	Q		R		Q		R	
	mm	inc	mm	inc	mm	inc	mm	inc
1/4"	63.0	2.48	32.0	1.26	72.5	2.86	46.0	1.81
3/8"	69.0	2.72	38.0	1.50	77.0	3.03	51.0	2.00
1/2"	77.0	3.03	46.0	1.81	94.5	3.72	60.0	2.36
3/4"	80.0	3.15	57.0	2.00	98.5	3.88	72.0	2.84
1"	97.0	3.82	60.0	2.36	108	4.25	80.0	3.15
1 1/4"	101	3.98	72.0	2.84	120	4.72	94.0	3.70
1 1/2"	110	4.33	80.0	3.15	138	5.44	100	3.94
2"	120	4.72	94	3.70	146	5.75	122	4.80

Ölçüler mm olarak verilmiştir.
Çelik ve paslanmaz üretilebilir.

Dimensions are in mm.
Steel and stainless steel can be produce