

## 90° & 180° DİRSEK UZUN RADIUS



TS 2649 KT1 & KT2  
TS EN 10253 - 1  
DIN 2605 3 D R1,5

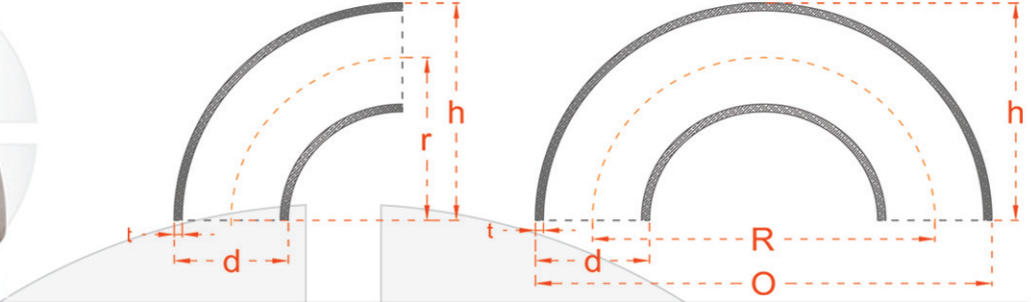
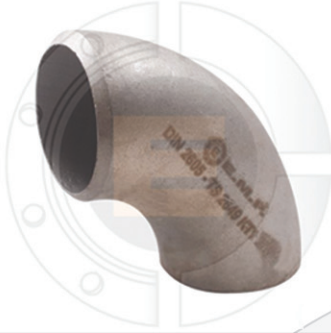


**E.M.P.**  
www.emp.com.tr  
www.empflans.com

## 90° & 180° ELBOW LONG RADIUS



TS 2649 KT1 & KT2  
TS EN 10253 - 1  
DIN 2605 3 D R1,5



DN	DIŞ ÇAP DİAMETER	ET KALINLIĞI WALL THICKNESS	YÜKSEKLİK HEIGHT	90° RADIUS	180° RADIUS	180°	90° r	180° r	ORTALAMA AĞIRLIK	
				90° RADIUS	180° RADIUS	DIŞTAN DIŞA	90° r	180° r	AVERAGE WEIGHT	
	d	t	h	r	R	O	TOLERANS	TOLERANS	90° KG	180° KG
	20	2.0	35	25	50	70	2,5 ±	5 ±	0.04	0.08
15	21.3	2.0	38.15	27.5	55	76.3			0.04	0.08
	25	2.0	40	27.5	55	80			0.05	0.10
20	26.9	2.3	41.95	28.5	57	83.9			0.07	0.14
	30	2.6	48.5	33.5	67	97			0.09	0.18
	31.8	2.6	50.9	35	70	101.8			0.11	0.22
25	33.7	2.6	54.85	38	76	109.7			0.12	0.24
	38	2.6	64	45	90	128			0.16	0.32
32	42.4	2.6	68.7	47.5	95	137.4			0.19	0.38
	44.5	2.6	73.25	51	102	146.5			0.22	0.44
40	48.3	2.6	81.15	57	114	162.3	3 ±	6 ±	0.27	0.54
	51	2.9	89	63.5	127	178			0.31	0.62
	57	2.9	100.5	72	144	201			0.44	0.88
50	60.3	2.9	106.15	76	152	212.3			0.49	0.98
	63.5	2.9	114.2	82.5	165	228.5			0.57	1.14
	70	2.9	127	92	184	254			0.70	1.40
65	76.1	2.9	133.05	95	190	266.1			0.79	1.58
	82.5	3.2	148.75	107.5	215	297.5			1.01	2.14
80	88.9	3.2	158.95	114.5	229	317.9			1.22	2.44
	101.6	3.6	184.3	133.5	267	368.6			1.83	3.66
	108	3.6	196.5	142.5	285	393	2.08	4.16		
100	114.3	3.6	209.65	152.5	305	419.3	2.37	4.74		
	133	4.0	247.5	181	362	495	3.64	7.28		
125	139.7	4.0	260.35	190.5	381	520.7	4.04	8.08		
	159	4.5	295.5	216	432	591	5.80	11.60		
150	168.3	4.5	312.65	228.5	457	625.3	6.50	13.00		
	193.7	5.4	366.85	270	540	733.7	10.60	21.20		
200	219.1	5.9	414.55	305	610	829.1	14.90	29.80		
	244.5	6.3	462.25	340	680	924.5	19.80	39.60		
	267	6.3	511.5	378	756	1023	24.10	48.20		

DN 250 DAHİL ÜZERİ ÖLÇÜLERDE TS EN 10217-1 ET KALINLIKLARINDAN MÜŞTERİ TERCİHİ KALINLIKLAR SEÇİLMİŞTİR.

250	273	6.0	517.5	381	762	1035	5 ±	10 ±	20.00	40.00
300	323.9	6.0	618.95	457	914	1237.9			32.00	64.00
350	355.6	6.0	711.3	533.5	1067	1422.6	10 ±	20 ±	41.00	82.00
	368	6.0	717.5	533.5	1067	1435			43.00	86.00
400	406	6.0	812.5	609.5	1219	1625	55.00	110.00		
	419	6.0	819	609.5	1219	1638	57.00	114.00		
450	457.2	6.0	914.6	686	1372	1829.2	15 ±	30 ±	71.00	142.00
500	508	6.0	1016	762	1524	2032	35 ±	70 ±	88.00	176.00
600	609.6	6.0	1219	915	1828	2438	50 ±	100 ±	121.00	242.00

Ölçüler mm olarak verilmiştir.

Çelik ve paslanmaz üretilebilir.

Dimensions are in mm.

Steel and stainless steel can be produce.