

REDÜKSİYON KONSANTRİK & EKSANTRİK



TS 2649 KT7
DIN 2616

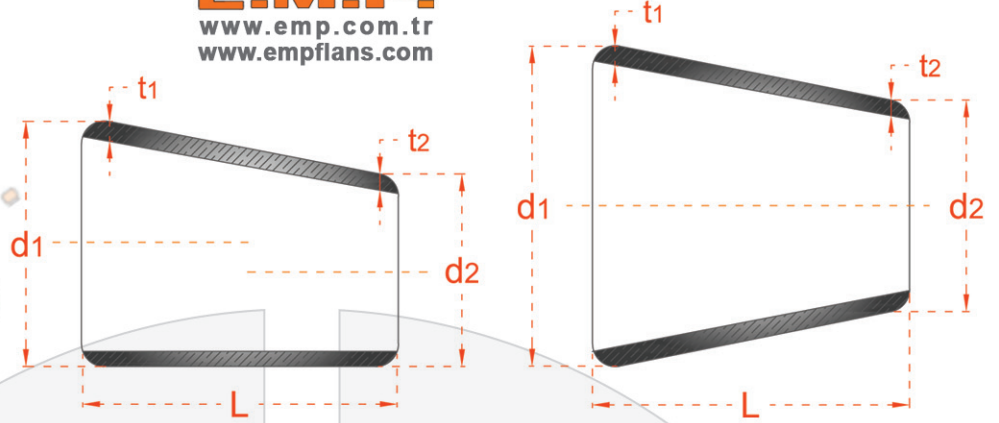


E.M.P.
www.emp.com.tr
www.empflans.com

REDUCER CONCENTRIC & ECCENTRIC



TS 2649 KT7
DIN 2616



| DN | DIŞ ÇAP DIAMETER | ET KALINLIĞI WALL THICKNESS | | | DIŞ ÇAP DIAMETER | ET KALINLIĞI WALL THICKNESS | | | L | SCH 40 ORTALAMA AĞIRLIK APPROX WEIGHT | | |
|-----|---------------------|--------------------------------|--------|--------|---------------------|--------------------------------|--------|--------|-----|---|--------|--------|
| | | d 1 | t 1 | | | d 2 | t 2 | | | | | |
| | | | SCH 20 | SCH 40 | | | SCH 80 | SCH 20 | | | SCH 40 | SCH 80 |
| 20 | 26.9 | 2.3 | 2.9 | x | 21.3 | 2.0 | x | x | 38 | 0.07 | | |
| | | | | x | 17.2 | 1.8 | x | x | | | | |
| 25 | 33.7 | 2.6 | 3.6 | x | 26.9 | 2.3 | 2.9 | x | 50 | 0.13 | | |
| | | | | x | 21.3 | 2.0 | 2.9 | x | | | | |
| 32 | 42.4 | 2.6 | 3.6 | x | 33.7 | 2.6 | 3.6 | x | 50 | 0.17 | | |
| | | | | x | 26.9 | 2.3 | 2.9 | x | | | | |
| 40 | 48.3 | 2.6 | 3.6 | x | 21.3 | 2.0 | 2.9 | x | 64 | 0.26 | | |
| | | | | x | 42.4 | 2.6 | 3.6 | x | | | | |
| 50 | 60.3 | 2.9 | 4.0 | 5.6 | 48.3 | 2.6 | 3.6 | x | 76 | 0.41 | | |
| | | | | x | 42.4 | 2.6 | 3.6 | 5.6 | | | | |
| 65 | 76.1 | 2.9 | 5.6 | 7.1 | 33.7 | 2.6 | 3.6 | x | 90 | 0.77 | | |
| | | | | x | 60.3 | 2.9 | 4.0 | x | | | | |
| 80 | 88.9 | 3.2 | 5.6 | 8.0 | 48.3 | 2.6 | 3.6 | 5.6 | 90 | 1 | | |
| | | | | x | 76.1 | 2.9 | 5.6 | x | | | | |
| 100 | 114.3 | 3.6 | 6.3 | 8.8 | 60.3 | 2.9 | 4.0 | 5.6 | 100 | 1.6 | | |
| | | | | x | 88.9 | 3.2 | 5.6 | 8.0 | | | | |
| 125 | 139.7 | 4.0 | 7.1 | 10.0 | 76.1 | 2.9 | 5.6 | 7.1 | 127 | 2.8 | | |
| | | | | x | 114.3 | 3.6 | 6.3 | 8.8 | | | | |
| 150 | 168.3 | 4.5 | 7.1 | 11.0 | 88.9 | 3.2 | 5.6 | 8.0 | 140 | 3.9 | | |
| | | | | x | 139.7 | 4.0 | 7.1 | 10.0 | | | | |
| 200 | 219.1 | 5.9 | 8.0 | 12.5 | 114.3 | 3.6 | 6.3 | 8.8 | 152 | 6.5 | | |
| | | | | x | 168.3 | 4.5 | 7.1 | 11.0 | | | | |
| | | | | | 139.7 | 4.0 | 7.1 | 10.0 | | | | |
| | | | | | 114.3 | 3.6 | 6.3 | 8.8 | | | | |

Ölçüler mm olarak verilmiştir.
Çelik ve paslanmaz üretilebilir.

Dimensions are in mm.
Steel and stainless steel can be produce.