

# REDÜKSİYON KONSANTRİK & EKSANTRİK

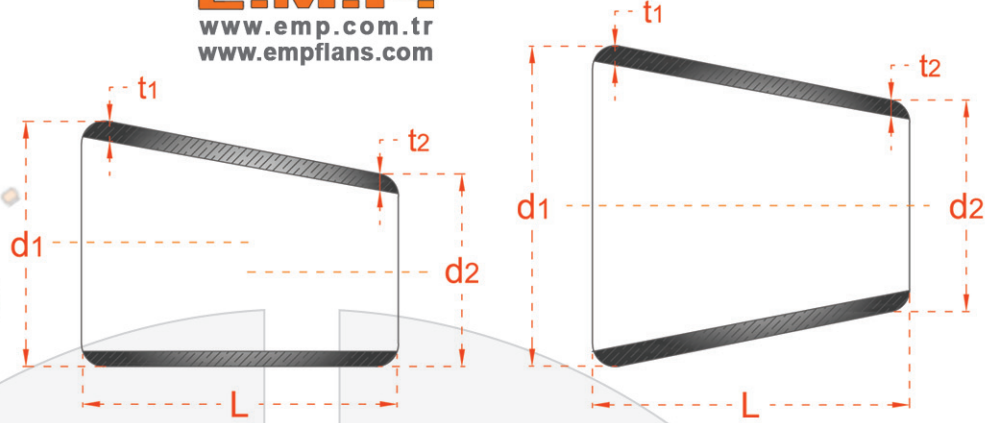
# REDUCER CONCENTRIC & ECCENTRIC



DIN 2616

DIN 2616

**E.M.P.**  
www.emp.com.tr  
www.empflans.com



| DN    | DIŞ ÇAP<br>DIAMETER | ET KALINLIĞI<br>WALL THICKNESS |        |        | DIŞ ÇAP<br>DIAMETER | ET KALINLIĞI<br>WALL THICKNESS |        |        | L   | SCH 40<br>ORTALAMA<br>AĞIRLIK<br>APPROX<br>WEIGHT |
|-------|---------------------|--------------------------------|--------|--------|---------------------|--------------------------------|--------|--------|-----|---|
|       |                     | t 1                            |        |        |                     | t 2                            |        |        |     |   |
|       |                     | SCH 20                         | SCH 40 | SCH 80 |                     | SCH 20                         | SCH 40 | SCH 80 |     |   |
| 700   | 711                 | 6.0                            | 8.0    | 10     | 662                 | 6.0                            | 8.0    | 10     | 610 | 63  |
|       |                     |                                |        |        | 609                 |                                |        |        |     | 60.6  |
|       |                     |                                |        |        | 558.8               |                                |        |        |     | 58  |
|       |                     |                                |        |        | 508                 |                                |        |        |     | 56.3  |
|       |                     |                                |        |        | 457.2               |                                |        |        |     | 53.6  |
|       |                     |                                |        |        | 406.4               |                                |        |        |     | 51.3  |
|       |                     |                                |        |        | 355.6               |                                |        |        |     | 49  |
|       |                     |                                |        |        | 323.9               |                                |        |        |     | 47.5  |
|       |                     |                                |        |        | 273                 |                                |        |        |     | 45.2  |
|       |                     |                                |        |        | 219.1               |                                |        |        |     | 42.7  |
|       |                     |                                |        |        | 711                 |                                |        |        |     | 70  |
| 800   | 813                 | 6.0                            | 8.0    | 10     | 662                 | 6.0                            | 8.0    | 10     | 610 | 67.8  |
|       |                     |                                |        |        | 609                 |                                |        |        |     | 65.3  |
|       |                     |                                |        |        | 558.8               |                                |        |        |     | 63  |
|       |                     |                                |        |        | 508                 |                                |        |        |     | 60.7  |
|       |                     |                                |        |        | 457.2               |                                |        |        |     | 58.4  |
|       |                     |                                |        |        | 406.4               |                                |        |        |     | 56  |
|       |                     |                                |        |        | 355.6               |                                |        |        |     | 53.7  |
|       |                     |                                |        |        | 323.9               |                                |        |        |     | 52.2  |
|       |                     |                                |        |        | 273                 |                                |        |        |     | 50  |
|       |                     |                                |        |        | 813                 |                                |        |        |     | 79.5  |
|       |                     |                                |        |        | 711                 |                                |        |        |     | 74.7  |
| 662   | 72.4                |                                |        |        |                     |                                |        |        |     |   |
| 609   | 70                  |                                |        |        |                     |                                |        |        |     |   |
| 558.8 | 68                  |                                |        |        |                     |                                |        |        |     |   |
| 508   | 65                  |                                |        |        |                     |                                |        |        |     |   |
| 457.2 | 63                  |                                |        |        |                     |                                |        |        |     |   |
| 406.4 | 60.6                |                                |        |        |                     |                                |        |        |     |   |
| 355.6 | 58.3                |                                |        |        |                     |                                |        |        |     |   |
| 323.9 | 56.5                |                                |        |        |                     |                                |        |        |     |   |
| 273   | 54.5                |                                |        |        |                     |                                |        |        |     |   |
| 900   | 914                 | 6.0                            | 8.0    | 10     | 914                 | 6.0                            | 8.0    | 10     | 610 | 88.7  |
|       |                     |                                |        |        | 813                 |                                |        |        |     | 84  |
|       |                     |                                |        |        | 711                 |                                |        |        |     | 79  |
|       |                     |                                |        |        | 662                 |                                |        |        |     | 77  |
|       |                     |                                |        |        | 609                 |                                |        |        |     | 74.7  |
|       |                     |                                |        |        | 558.8               |                                |        |        |     | 72  |
|       |                     |                                |        |        | 508                 |                                |        |        |     | 70  |
|       |                     |                                |        |        | 457.2               |                                |        |        |     | 67  |
|       |                     |                                |        |        | 406.4               |                                |        |        |     | 65  |
|       |                     |                                |        |        | 355.6               |                                |        |        |     | 63  |
|       |                     |                                |        |        | 323.9               |                                |        |        |     | 61.5  |
| 914   | 88.7                |                                |        |        |                     |                                |        |        |     |   |
| 813   | 84                  |                                |        |        |                     |                                |        |        |     |   |
| 711   | 79                  |                                |        |        |                     |                                |        |        |     |   |
| 662   | 77                  |                                |        |        |                     |                                |        |        |     |   |
| 609   | 74.7                |                                |        |        |                     |                                |        |        |     |   |
| 558.8 | 72                  |                                |        |        |                     |                                |        |        |     |   |
| 508   | 70                  |                                |        |        |                     |                                |        |        |     |   |
| 457.2 | 67                  |                                |        |        |                     |                                |        |        |     |   |
| 406.4 | 65                  |                                |        |        |                     |                                |        |        |     |   |
| 355.6 | 63                  |                                |        |        |                     |                                |        |        |     |   |
| 323.9 | 61.5                |                                |        |        |                     |                                |        |        |     |   |
| 1000  | 1016                | 6.0                            | 8.0    | 10     | 914                 | 6.0                            | 8.0    | 10     | 610 | 88.7  |
|       |                     |                                |        |        | 813                 |                                |        |        |     | 84  |
|       |                     |                                |        |        | 711                 |                                |        |        |     | 79  |
|       |                     |                                |        |        | 662                 |                                |        |        |     | 77  |
|       |                     |                                |        |        | 609                 |                                |        |        |     | 74.7  |
|       |                     |                                |        |        | 558.8               |                                |        |        |     | 72  |
|       |                     |                                |        |        | 508                 |                                |        |        |     | 70  |
|       |                     |                                |        |        | 457.2               |                                |        |        |     | 67  |
|       |                     |                                |        |        | 406.4               |                                |        |        |     | 65  |
|       |                     |                                |        |        | 355.6               |                                |        |        |     | 63  |
|       |                     |                                |        |        | 323.9               |                                |        |        |     | 61.5  |
| 914   | 88.7                |                                |        |        |                     |                                |        |        |     |   |
| 813   | 84                  |                                |        |        |                     |                                |        |        |     |   |
| 711   | 79                  |                                |        |        |                     |                                |        |        |     |   |
| 662   | 77                  |                                |        |        |                     |                                |        |        |     |   |
| 609   | 74.7                |                                |        |        |                     |                                |        |        |     |   |
| 558.8 | 72                  |                                |        |        |                     |                                |        |        |     |   |
| 508   | 70                  |                                |        |        |                     |                                |        |        |     |   |
| 457.2 | 67                  |                                |        |        |                     |                                |        |        |     |   |
| 406.4 | 65                  |                                |        |        |                     |                                |        |        |     |   |
| 355.6 | 63                  |                                |        |        |                     |                                |        |        |     |   |
| 323.9 | 61.5                |                                |        |        |                     |                                |        |        |     |   |

Ölçüler mm olarak verilmiştir.  
Çelik ve paslanmaz üretilir.

Dimensions are in mm.  
Steel and stainless steel can be produce.

TS EN 10217 - 1 ET KALINLIKLARINDAN İMALATÇI TERCİHİ KALINLIKLAR SEÇİLMİŞTİR. (DN 250 DAHİL ÜSTÜ ÖLÇÜLERDE)