

# KAYNAK BOYUNLU FLANŞ 900 LB



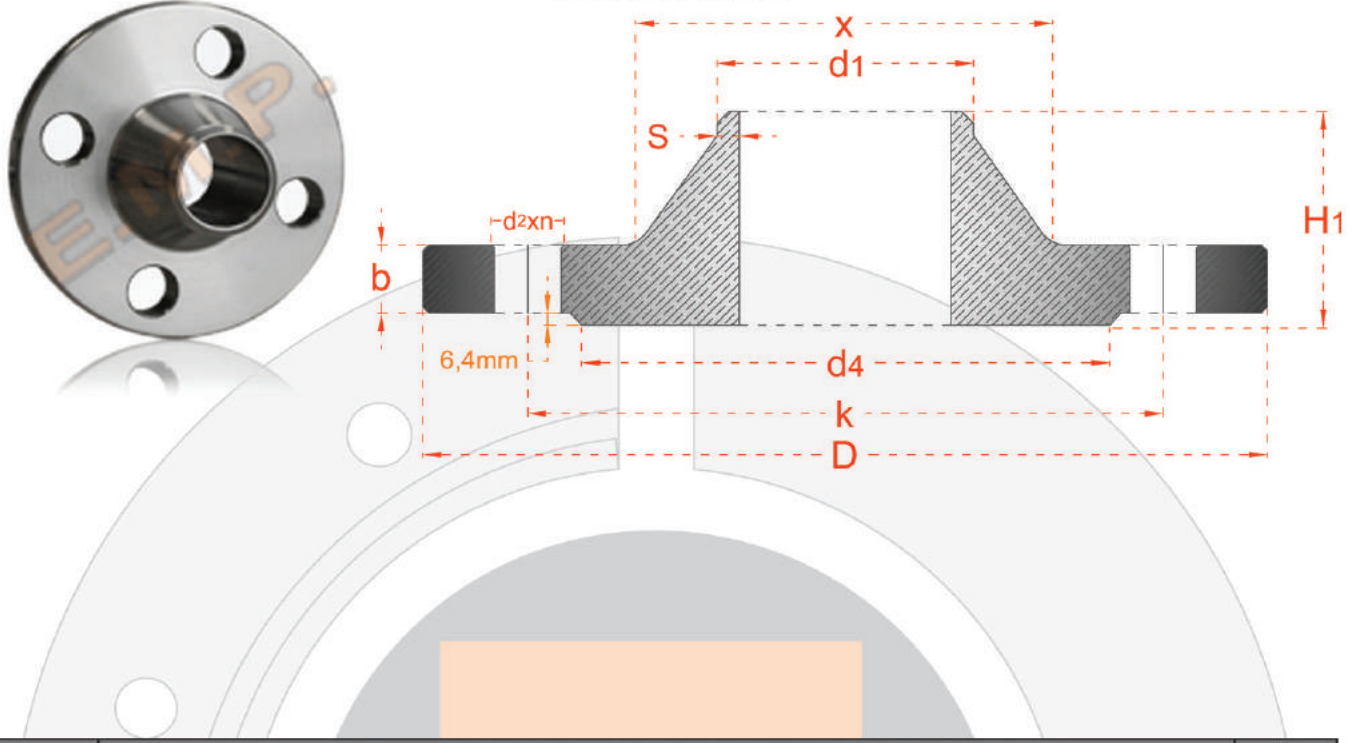
MSS - SP 44  
ASME B 16.47 2006 SERIE A  
ASME B 16.47 2006 SERIE B



# WELDING NECK FLANGE CLASS 900



MSS - SP 44  
ASME B 16.47 2006 SERIE A  
ASME B 16.47 2006 SERIE B



MSS - SP 44 ASME B16.47 2006 SERIE A												AĞIRLIK WEIGHT
DN	NPS	D	b	d4	DELİKLER - DRILLINGS			s	X	d1	H1	kg
					n	k	d2					
650	26"	1,085.8	139.7	749.3	20	952.5	73.1	S DEĞERİ MÜŞTERİ İLE GÖRÜŞÜLEREK BELİRLENECEKTİR	774.7	660.4	285.7	761
700	28"	1,168.4	142.7	800.1	20	1,022.3	79.2		831.8	711.2	298.4	903
750	30"	1,231.9	149.4	857.2	20	1,085.8	79.2		889.0	762.0	311.1	1030
800	32"	1,314.4	158.7	914.4	20	1,155.7	85.9		946.1	812.8	330.2	1244
850	34"	1,397.0	165.1	965.2	20	1,225.5	91.9		1,006.3	863.6	349.2	1460
900	36"	1,460.5	171.4	1,022.3	20	1,289.0	91.9		1,063.7	914.4	361.9	1646
950	38"	1,460.5	190.5	1,098.5	20	1,289.0	91.9		1,073.1	965.2	352.5	1626
1000	40"	1,511.3	196.8	1,162.0	24	1,339.8	91.9		1,127.2	1,016.0	363.4	1754
1050	42"	1,562.1	206.2	1,212.8	24	1,390.6	91.9		1,176.2	1,066.8	371.6	1896
1100	44"	1,647.9	214.4	1,270.0	24	1,463.5	98.5		1,234.9	1,117.6	390.6	2229
1150	46"	1,733.5	225.6	1,333.5	24	1,536.7	104.6		1,292.3	1,168.4	410.9	2596
1200	48"	1,784.3	233.4	1,384.3	24	1,587.5	104.6		1,343.2	1,219.2	419.1	2804
ASME B16.47 2006 SERIE B												
650	26"	1022.3	134.8	762.0	20	901.7	66.5	S DEĞERİ MÜŞTERİ İLE GÖRÜŞÜLEREK BELİRLENECEKTİR	743.0	660.4	258.8	
700	28"	1104.9	147.5	819.1	20	971.5	73.1		797.0	711.2	276.3	
750	30"	1181.1	155.4	876.3	20	1,035.0	79.2		850.9	762.0	289.1	
800	32"	1238.2	160.2	927.1	20	1,092.2	79.2		908.0	812.8	303.2	
850	34"	1314.4	171.4	990.6	20	1,155.7	85.8		962.1	863.6	319.0	
900	36"	1346.2	173.0	1,028.7	24	1,200.1	79.2		1,016.0	914.4	325.3	

Ölçüler mm olarak verilmiştir.  
Çelik ve paslanmaz üretilebilir.

Dimensions are in mm.  
Steel and stainless steel can be produce.